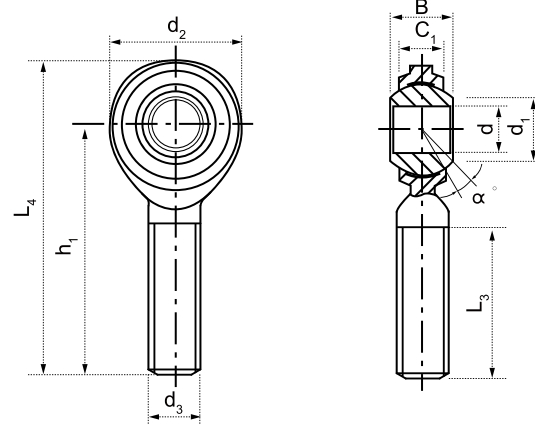


- 杆端體帶有左旋或右旋的外螺紋。
Rod body with right or left-hand male thread.
- 杆端體擠壓成形。
Rod body pressed around inner ring.
- 外圈球面粘貼PTFE織物。
Outer race lined with PTFE composite material.
- 杆端體表面鍍鋅。
Surface of rod body zinc plated.



軸承型號 Bearings number	尺寸mm Dimensions									負荷KN Load ratings		重量 Weight (kg)
	d	d _{eg} 6g	B	C ₁	d ₂	h ₁	L ₄	L ₃ min	α ≈	動dyn. C	靜stat. C ₀	
NOS5 PK	5	M5×0.8	8	6	19	33	42.5	20	12	5.70	6.00	0.014
NOS6 PK	6	M6×1.0	9	6.7	21	36	46.5	22	11	7.20	7.65	0.020
NOS8 PK	8	M8×1.25	12	9	25	42	54.5	25	12	11.6	12.9	0.038
NOS10 PK	10	M10×1.5	14	11	29	48	62.5	29	12	14.5	18.0	0.055
NOS12 PK	12	M12×1.75	16	12	33	54	70.5	33	13	17.0	24.0	0.085
NOS14 PK	14	M14×2.0	19	14	37	60	78.5	36	14	24.0	31.0	0.140
NOS16 PK	16	M16×2.0	21	15	43	66	87.5	40	14	28.5	39.0	0.210
NOS18 PK	18	M18×1.5	23	17	47	72	95.5	44	14	42.5	47.5	0.280
NOS20 PK	20	M20×1.5	25	18	51	78	103.5	47	14	42.5	57.0	0.380
NOS22 PK	22	M22×1.5	28	20	55	84	111.5	50	15	57.0	68.0	0.480
NOS25 PK	25	M24×2.0	31	22	61	94	124.5	57	15	68.0	85.0	0.640

若是左旋螺紋，軸承型號需加“L”，例如：SAL 18 PK。
For left-hand thread, please add suffix "L" ,e.g.SA L 18 PK.